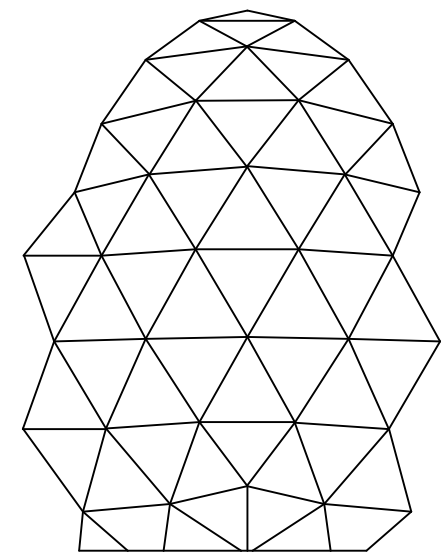
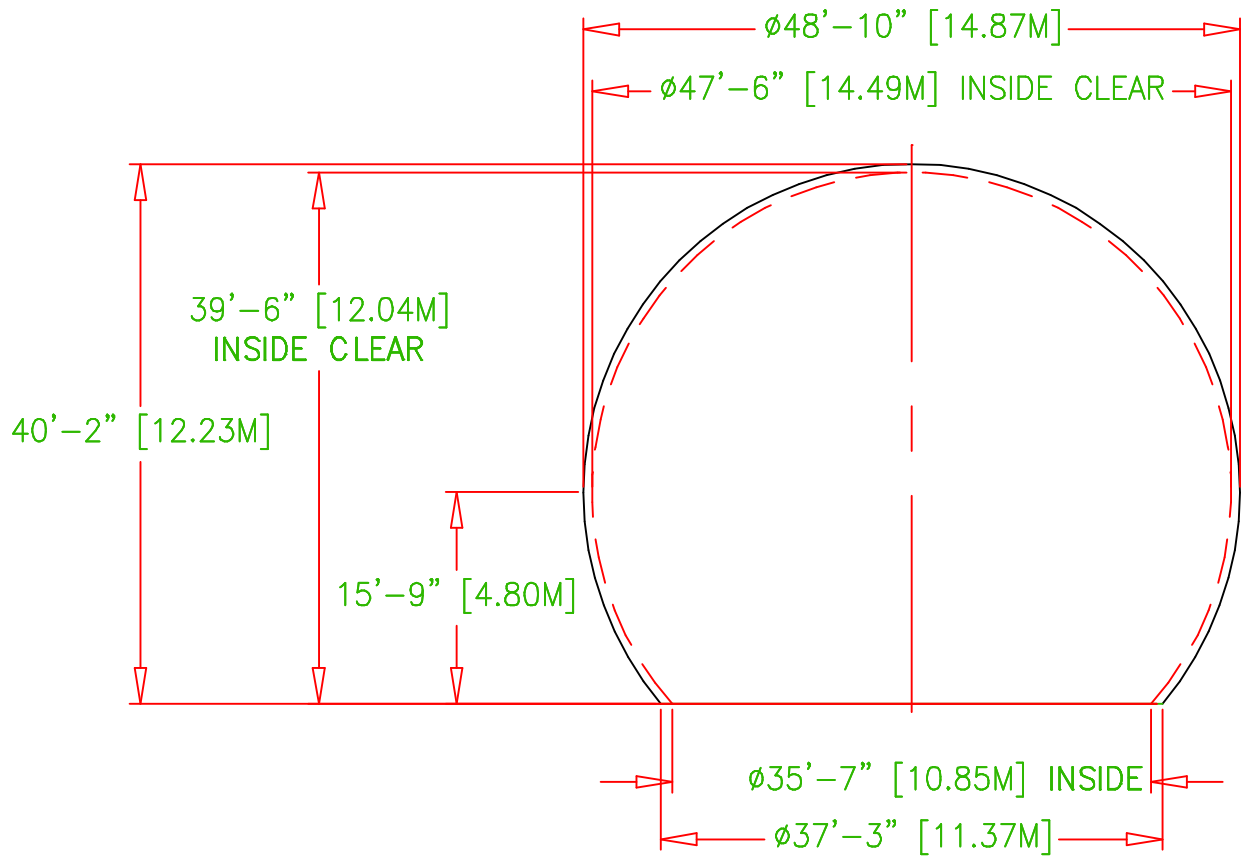


DWG NO. 48DSF40 SH 1 REV A

REVISIONS				
ZONE	REV	DESCRIPTION	DATE	APPROVED



UNLESS OTHERWISE SPECIFIED:		48' DIAMETER RADOME	
1. ALL MACHINED SURFACES TO BE 125 MICROINCHES OR SMOOTHER.		40'-2" HIGH DIELECTRIC	
2. ALL DIMENSIONS ARE IN INCHES.		48DSF40	
TOLERANCES:		AFC ANTENNAS FOR COMMUNICATIONS INC. OCALA, FLORIDA	
.XX ±.04 (1.00mm)	FRACTIONS ± 1/16	DWG NO.	48DSF40
.XXX ±.008 (0.20mm)	ANGLE ±1/2°	SIZE	A IGC56
.XXXX ±.0008 (0.02mm)		REV	A
JOB NO.	DRAWN KROHNE 11/11/99	SCALE 3/4"=10'	CALC. WT. ACT. WT. SHEET 1 OF 1
CHECKED			

These documents by Antennas for Communication contain information of a proprietary nature and shall not be copied or duplicated in whole or in part or used in whole or in part for any purpose other than for preparation of bids or fabrication.