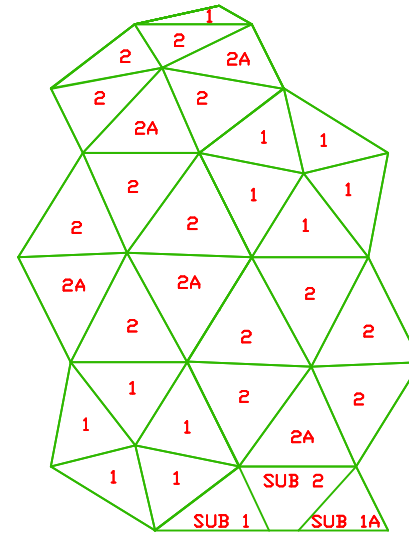
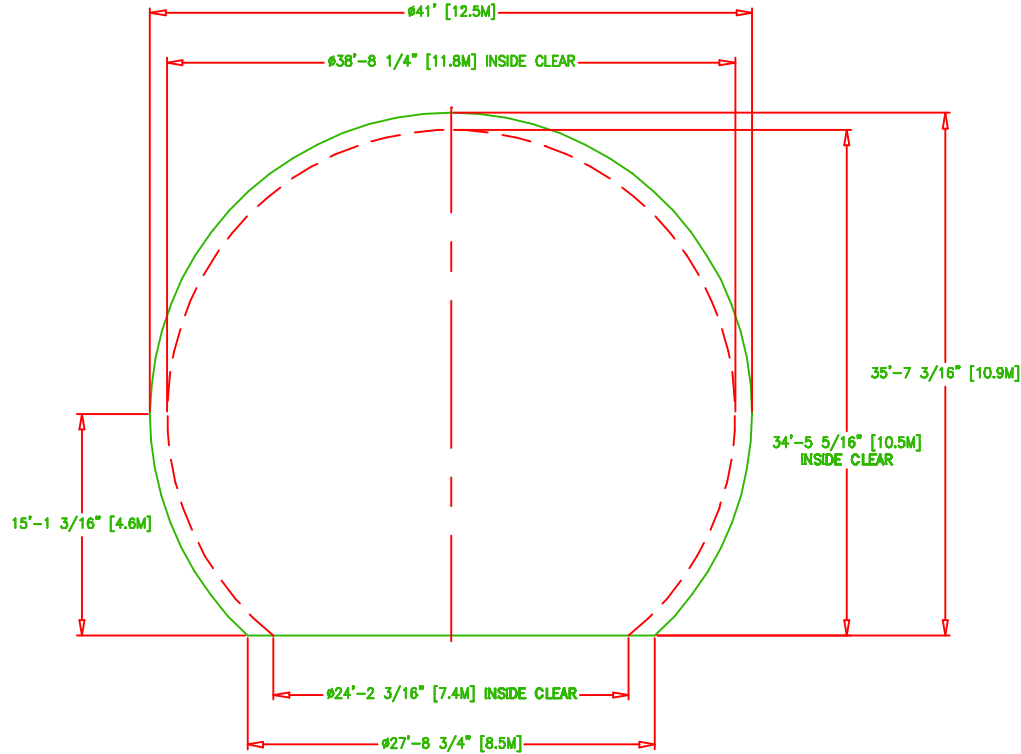


DWG NO. 41DSF36 SH 1 REV A

REVISIONS

ZONE	REV	DESCRIPTION	DATE	APPROVED
------	-----	-------------	------	----------



1/5TH SECTION

These documents submitted by Antennas for Communication contain information of a proprietary nature and shall not be copied or duplicated in whole or in part or used in whole or in part for any purpose other than that which is necessary for the preparation of bids or fabrication.

UNLESS OTHERWISE SPECIFIED:

- ALL MACHINED SURFACES TO BE 125 MICRONS OR SMOOTHER.
  - ALL DIMENSIONS ARE IN INCHES.
- TOLERANCES:
- |       |        |          |             |
|-------|--------|----------|-------------|
| .XX   | ±.04   | (1.00mm) | FRACTIONS   |
| .XXX  | ±.008  | (0.20mm) | ± 1/16      |
| .XXXX | ±.0008 | (0.02mm) | ANGLE ±1/2° |

41' DIAMETER RADOME

35'-7" HIGH DIELECTRIC



41DSF36

ANTENNAS FOR COMMUNICATIONS INC.  
OCALA, FLORIDA

JOB NO.	SIZE B	CAGE CODE IGC56	DWG NO. 41DSF36	REV. A
DRAWN KROHNE 11/11/99	SCALE 1/64	CALC. WT. ACT. WT.		SHEET 1 OF 1