

4

3

2

DWG NO. 31DSF26002

SH 1 REV A

REVISIONS				
ZONE	REV	DESCRIPTION	DATE	APPROVED

D

D

C

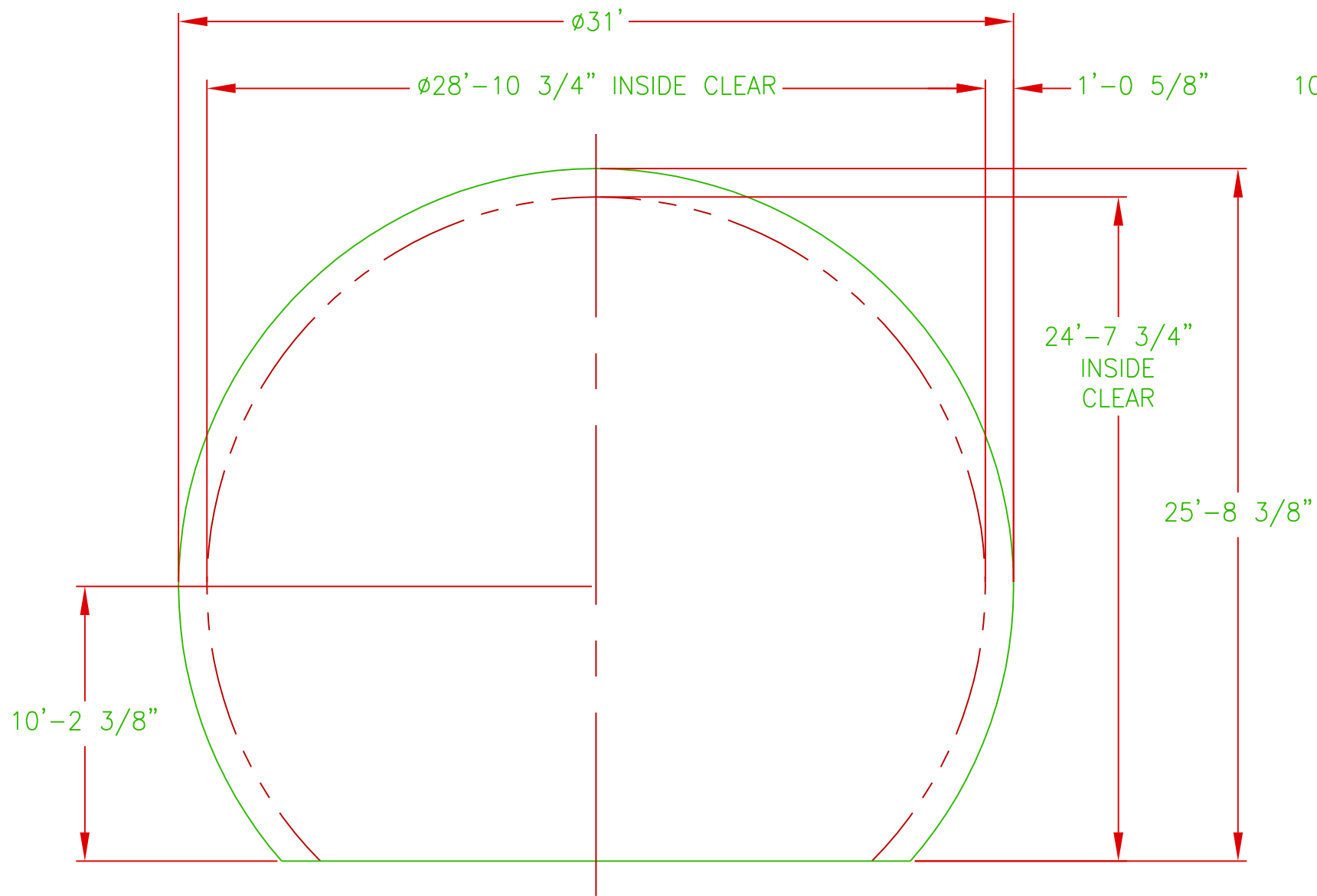
C

B

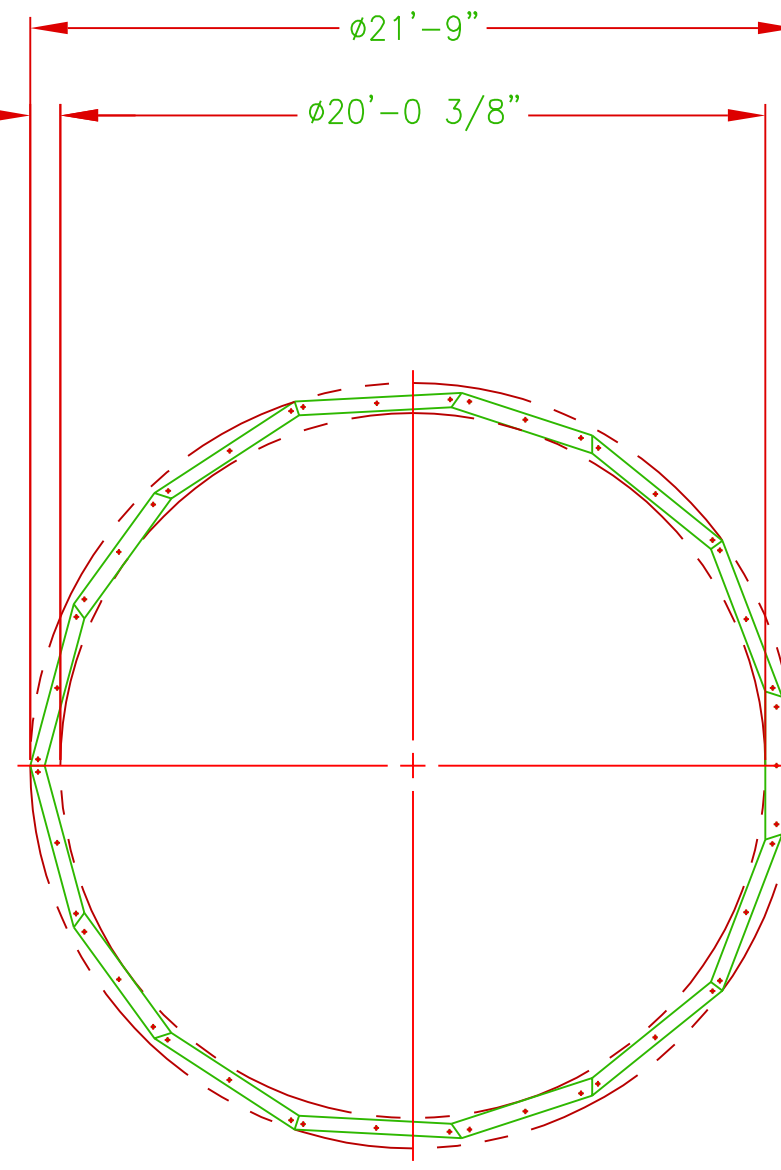
B

A

A



ELEVATION



BASE

NEW CONFIGURATION

These documents by Antennas for Communication contain information of a proprietary nature and shall not be copied or duplicated in whole or in part or used in whole or in part for any purpose other than for preparation of bids or fabrication.

1. ALL MACHINED SURFACES TO BE 125 MICROINCHES OR SMOOTHER.	
2. ALL DIMENSIONS ARE IN INCHES.	
.X ±.1 [2.5mm] FRACTIONS	
.XX ±.04 [1.0mm] ± 1/16	
.XXX ±.008 [0.2mm] ANGLE ±1°	
R. POSNER DESIGN 07/05/00	
L. SPIVEY PRODUCTION 07/05/00	
J. CATES QUALITY 07/05/00	

OUTLINE SPECIFICATIONS			
31' RADOME 25.7' HIGH DIELECTRIC			
AFC 31DSF26002			
ANTENNAS FOR COMMUNICATIONS INC. Ocala, Florida			
SIZE B	CAGE CODE IGC56	DWG NO. 31DSF26002	REV. A
DRAWN BY R. KROHNE		DATE 05/30/00	SCALE 1/4"=1'
USE FOR MARKETING		SHEET 1	OF 1

4

3

2

1