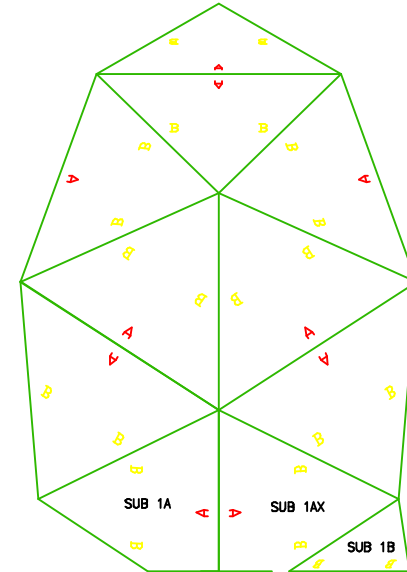
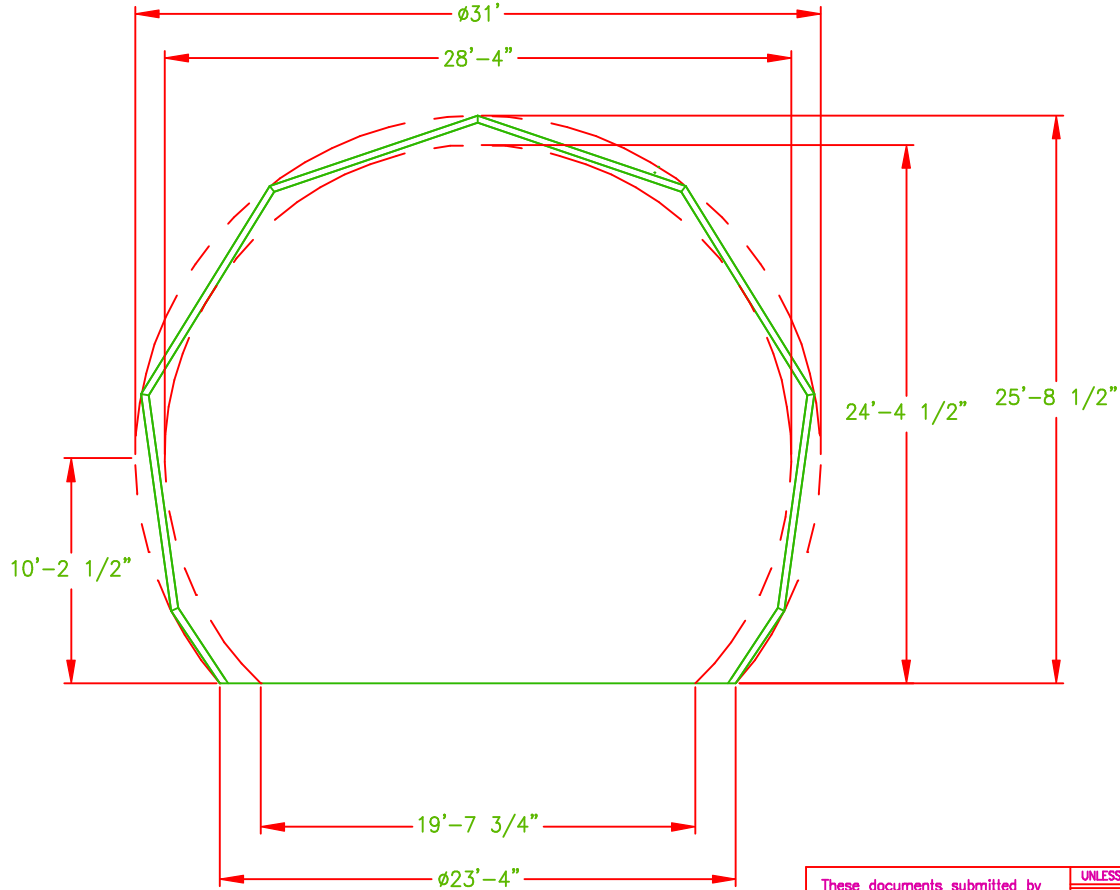


DWG NO. 31DSF25

SH 1 REV A

REVISIONS

ZONE	REV	DESCRIPTION	DATE	APPROVED
------	-----	-------------	------	----------



1/5th SEGMENT ASSEMBLY

These documents submitted by Antennas for Communication contain information of a proprietary nature and shall not be copied or duplicated in whole or in part or used in whole or in part for any purpose other than that which is necessary for the preparation of bids or fabrication.

UNLESS OTHERWISE SPECIFIED:

- ALL MACHINED SURFACES TO BE 125 MICRONS OR SMOOTHER.
- ALL DIMENSIONS ARE IN INCHES.

TOLERANCES:
 .XX ±.04 (1.00mm) FRACTIONS
 .XXX ±.008 (0.20mm) ± 1/16
 .XXXX ±.0008 (0.02mm) ANGLE ±1/2°

JOB NO.
 DRAWN KROHNE 01/11/00
 CHECKED

Ø31' RADOME

25.7' HIGH DIELECTRIC



31DSF25

ANTENNAS FOR COMMUNICATIONS INC.
 OCALA, FLORIDA

SIZE B

CAGE CODE IGC56

DWG NO. 31DSF25

REV. A

SCALE 1/50

DWG. WT. ACT. WT. SHEET 1 OF 1