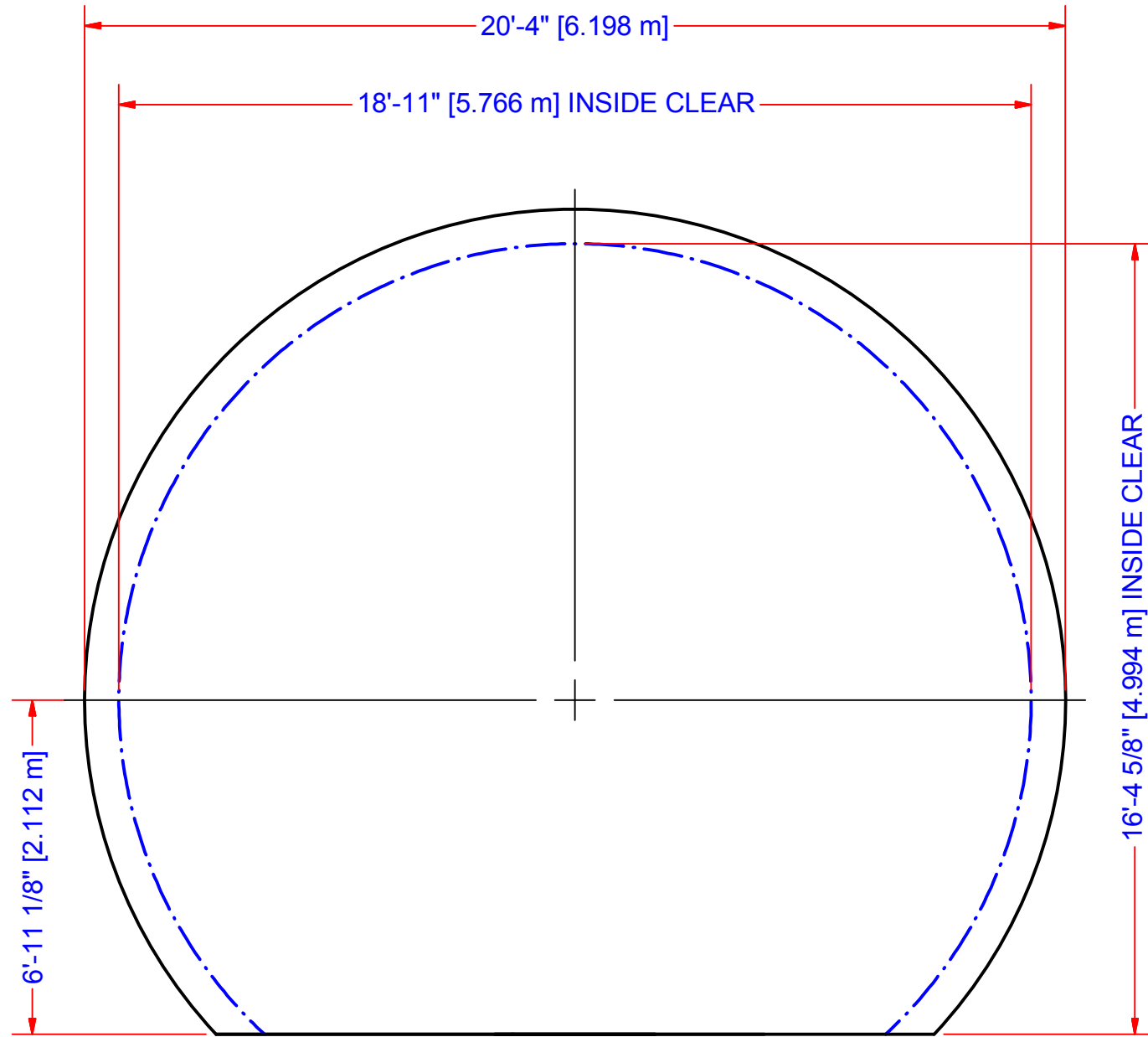
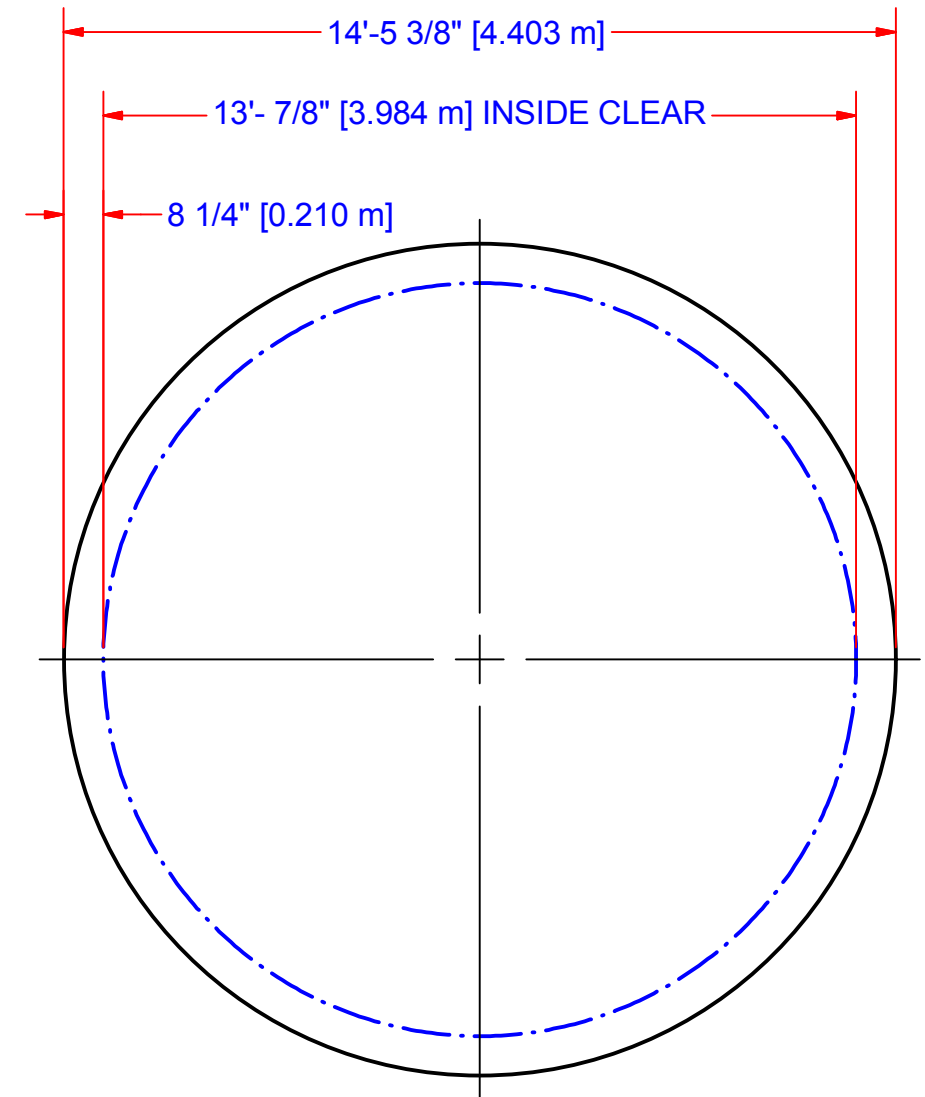


REVISION HISTORY				
ZONE	REV	DESCRIPTION	DATE	APPROVED
1	2	Value	04/07/2009	jongho



ELEVATION



BASE

<p>These documents by Antennas for Communications contain information of a proprietary nature and shall not be copied or duplicated in whole or in part or used in whole or in part for any purpose other than for preparation of bids or fabrication.</p>	<p>1. ALL MACHINED SURFACES TO BE 125 MICROINCHES OR SMOOTHER. 2. ALL DIMENSIONS ARE IN INCHES.</p>				<p>OUTLINE SPECIFICATIONS</p>					
	<p>.X ±.1 [2.5mm] FRACTIONS</p>				<p>20' * 17' DIELECTRIC RADOME</p>					
	<p>.XX ±.04 [1.0mm] ± 1/16</p>				<p>AFC 20DSF17</p>					
	<p>.XXX ±.008 [0.2mm] ANGLE ± 1'</p>				<p>ANTENNAS FOR COMMUNICATIONS INC. OCALA, FLORIDA</p>					
	<p>* DESIGN *</p>				<p>SIZE B</p>	<p>CAGE CODE</p>	<p>DWG NO 20DSF17002</p>	<p>SCALE 3/4" = 1'</p>		<p>USE FOR MARKETING</p>
<p>* PRODUCTION *</p>				<p>DRAWING BY J. LEE</p>		<p>DATE 03/20/2009</p>		<p>SCALE 3/4" = 1'</p>		<p>USE FOR MARKETING</p>
<p>* QUALITY *</p>										